

**1. Beveling Machine Brand: PROMOTECH Model: BM-20
Made in Poland (brand new)**

The BM-20 is a new generation, easy to use, portable, heavy duty machine designed for beveling steel plates and pipes prior to welding. This beveling machine is fitted with two milling heads each holding six inserts, allowing smooth operation and exceptional efficiency. One set of inserts can last for up to 2000 meters of bevelled steel edge and allows to work with an output around 1.5 meters/minute (depending on the amount of the metal being removed). The BM-20 incorporates many safety features. It has a state of the art electronic control module protecting the operator, the machine and tools. It is equipped with guide rolls, which make it easy and light to operate.

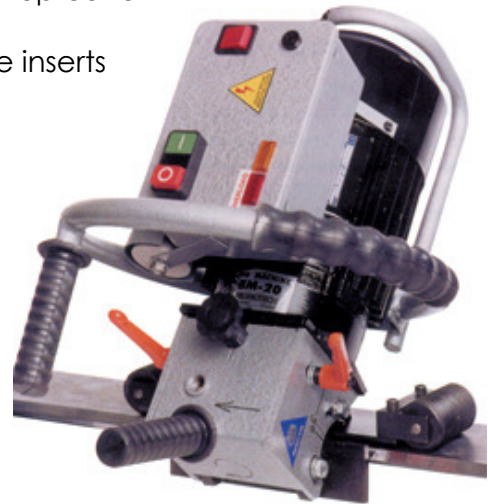
Technical Data

- Power supply: 1.1 KW, 230 VAC
- Motor: Inductive with increased start-up current
- Motor speed: 2820 RPM
- Tooling: 2 milling heads with 12 square inserts
- Standard angles range: 15-60°
- Weight: 20 kg

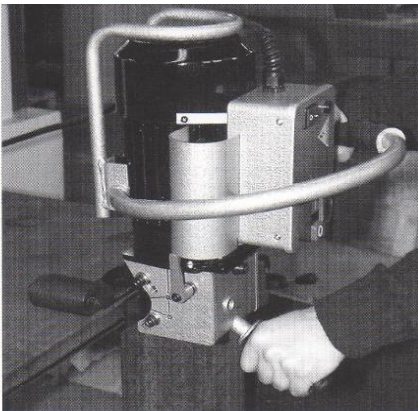
Complete With:

- Pipe attachment: 1 no.
- Zero Deg attachment: 1 no.

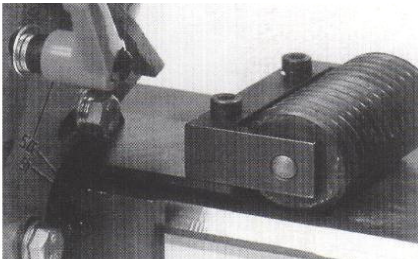
Made in Poland (brand new)



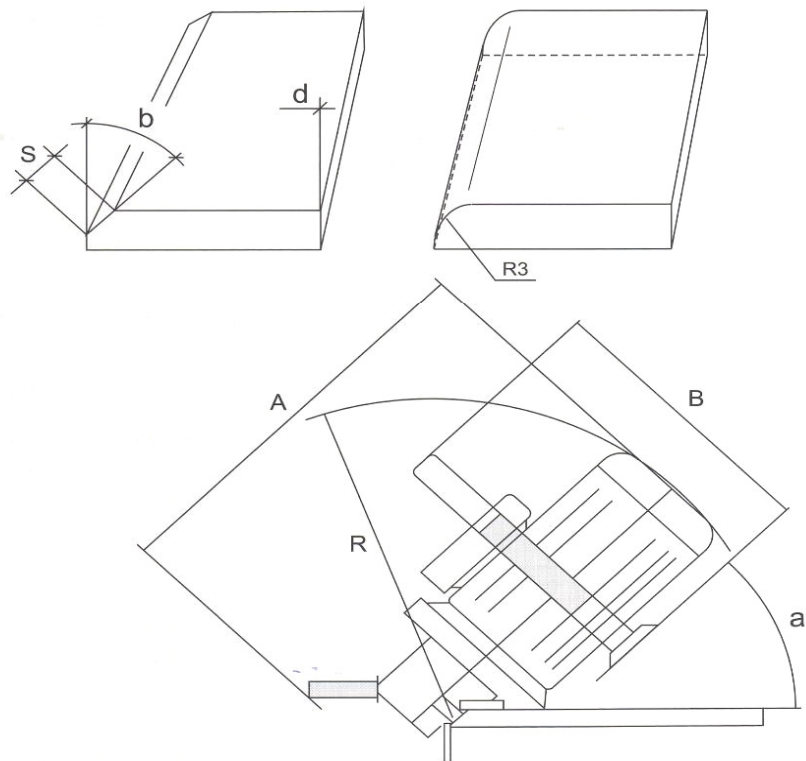
BM – 20 BEVELLING MACHINE TECHNICAL SPECIFICATIONS



Facing of plate (d)



2 Rollers make it easier to operate the machine



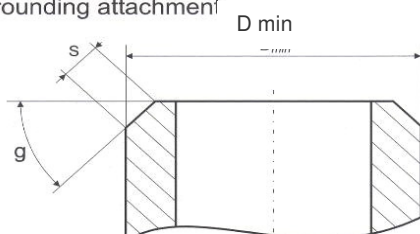
SPECIFICATIONS

Type	A (mm)	B (mm)	R (mm)	S (mm)	D _{min} (mm)	a (°)	b (°)	g (°)	d=0°	weight (kg)
BM 20 (15-60)	420	330	305	0-20	160	45-75	15-60	75-30	yes	20.0

Power supply: 230 V AC / 50 Hz or 110 V AC / 60 Hz
 Induction motor with increased startup current.
 Power: 1.1 kW
 Motor speed: 2820 RPM
 Tooling: two milling heads with 12 square cement inserts

Optional equipment:

- Facing off attachment
- Pipe beveling attachment
- R-3 - rounding attachment



Pipe beveling option

Pipe beveling

